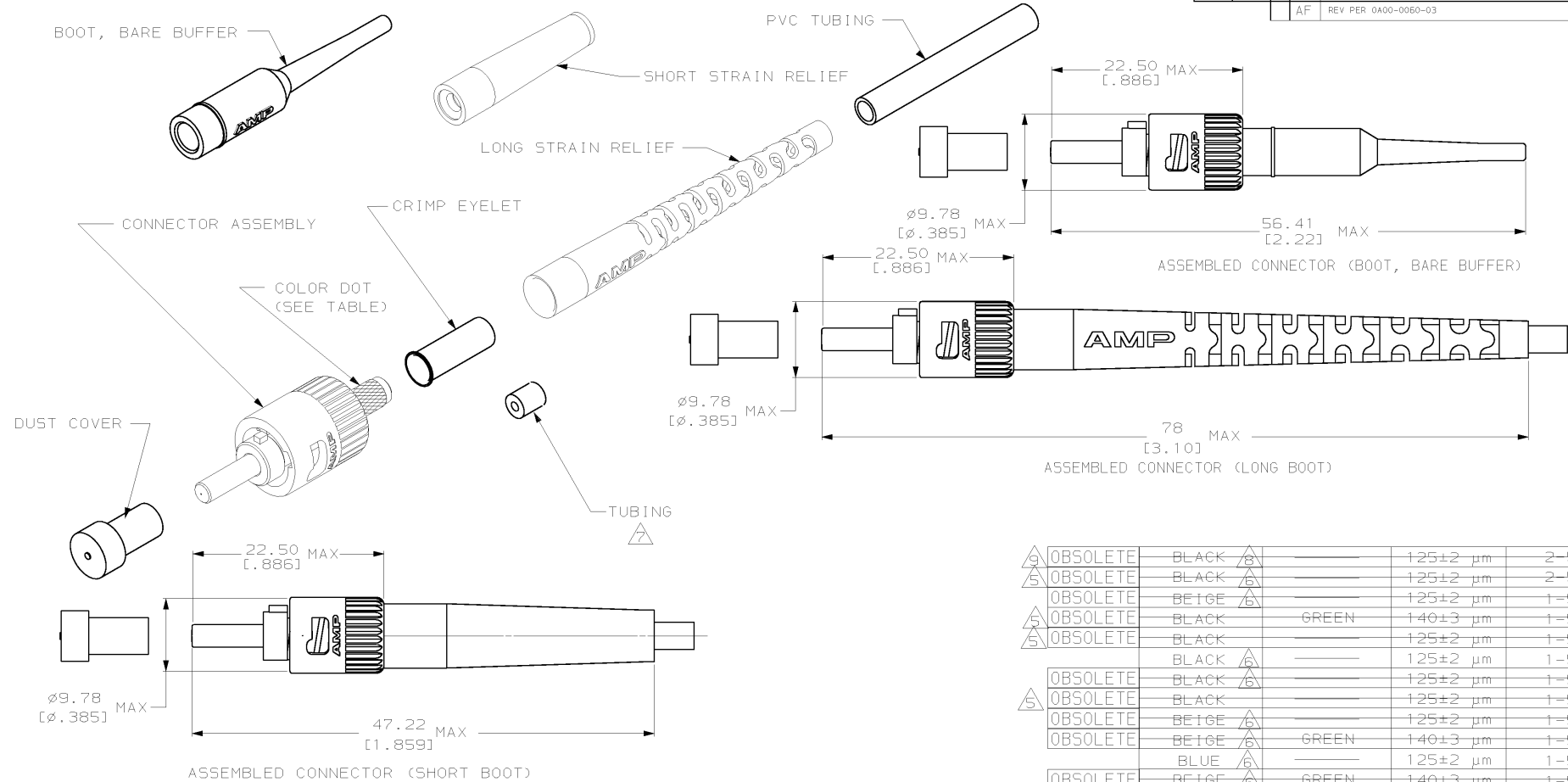


THIS DRAWING IS UNPUBLISHED. RELEASED FOR PUBLICATION .19
 © COPYRIGHT 19 BY AMP INCORPORATED. ALL RIGHTS RESERVED.

| LOC | DIST | REVISIONS | | | | | |
|-----|------|-----------|-----|----------------------|---------|-----|------|
| CE | 16 | P | LTR | DESCRIPTION | DATE | OWN | APVD |
| | | AF | | REV PER 0A00-0050-03 | 07MAR03 | DDE | SB |



- DIMENSIONS IN [] ARE IN INCHES.
- INSTRUCTION SHEET 408-9645.
- △ BODY: ELECTROLESS NICKEL
COUPLING NUT: ELECTROLESS NICKEL
- △ BODY: BRASS
CAPILLARY: ZIRCONIUM OXIDE (ZrO₂)
COUPLING NUT: ZINC
STRAIN RELIEF: THERMOPLASTIC
- △ BULK PACKAGED
- △ SHORT BOOT
- △ CLEAR TUBING USED ONLY ON 900μm BUFFERED FIBER FIBER WITHOUT STRENGTH MEMBERS.
- △ BARE BUFFER (900μm) BOOT
- △ PVC TUBING NOT INCLUDED

| △ | OBSELETE | COLOR | △ | STRAIN RELIEF COLORS | COLOR DOT | FIBER SIZE | PART NO |
|------|----------|-------|-----|----------------------|-----------|------------|------------|
| △ 9 | OBSELETE | BLACK | △ 8 | | | 125±2 μm | 2-501380-1 |
| △ 5 | OBSELETE | BLACK | △ 6 | | | 125±2 μm | 2-501380-0 |
| △ 5 | OBSELETE | BEIGE | △ 6 | | | 125±2 μm | 1-501380-9 |
| △ 5 | OBSELETE | BLACK | △ 6 | GREEN | | 140±3 μm | 1-501380-8 |
| △ 5 | OBSELETE | BLACK | △ 6 | | | 125±2 μm | 1-501380-7 |
| | OBSELETE | BLACK | △ 6 | | | 125±2 μm | 1-501380-6 |
| △ 5 | OBSELETE | BLACK | △ 6 | | | 125±2 μm | 1-501380-5 |
| | OBSELETE | BLACK | △ 6 | | | 125±2 μm | 1-501380-4 |
| | OBSELETE | BEIGE | △ 6 | | | 125±2 μm | 1-501380-3 |
| | OBSELETE | BEIGE | △ 6 | GREEN | | 140±3 μm | 1-501380-2 |
| | OBSELETE | BLUE | △ 6 | | | 125±2 μm | 1-501380-1 |
| | OBSELETE | BEIGE | △ 6 | GREEN | | 140±3 μm | 1-501380-0 |
| △ 5 | OBSELETE | BLUE | △ 6 | | | 125±2 μm | 501380-9 |
| | OBSELETE | RED | △ 6 | GREEN | | 140±3 μm | 501380-8 |
| | OBSELETE | RED | △ 6 | | | 125±2 μm | 501380-7 |
| | OBSELETE | BLACK | △ 6 | GREEN | | 140±3 μm | 501380-6 |
| | OBSELETE | BLACK | △ 6 | | | 125±2 μm | 501380-5 |
| | OBSELETE | BEIGE | △ 6 | GREEN | | 140±3 μm | 501380-4 |
| | OBSELETE | BEIGE | △ 6 | | | 125±2 μm | 501380-3 |
| | OBSELETE | BLACK | △ 6 | GREEN | | 140±3 μm | 501380-2 |
| △ 10 | OBSELETE | BLACK | △ 6 | | | 125±2 μm | 501380-1 |

THIS DRAWING IS A CONTROLLED DOCUMENT.

| | | | |
|----------------|--|-------------------------|---|
| DIMENSIONS, mm | TOLERANCES UNLESS OTHERWISE SPECIFIED, | OWN C. EISENHOUR 5-3-88 | AMP Incorporated Harrisburg, PA 17105-3608 |
| | | DRW A. PLOTS 5-4-88 | |
| | | APVD J. MONROE 5-4-88 | |
| | | PRODUCT SPEC 108-1492 | CONNECTOR KIT, 2.5mm BAYONET, OPTIMATE |
| MATERIAL △ 4 | FINISH △ 3 | APPLICATION SPEC | SIZE CAGE CODE (DRAWING NO) A2 00779 ©-501380 |
| | | WEIGHT - | RESTRICTED TO - |
| | | CUSTOMER DRAWING | SCALE 2:1 SHEET 1 OF 1 REV AF |